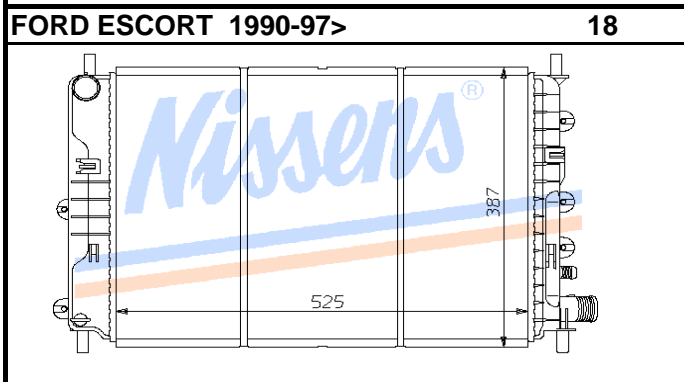
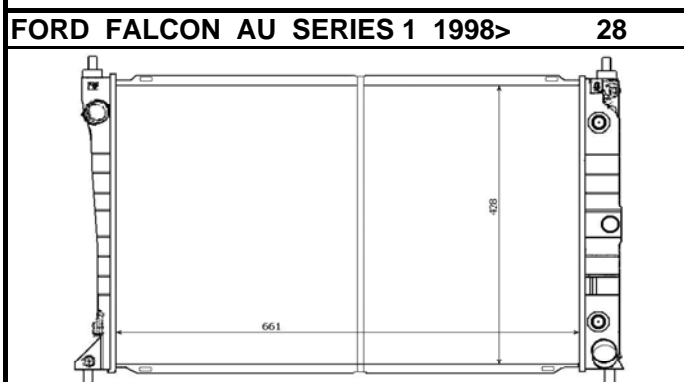


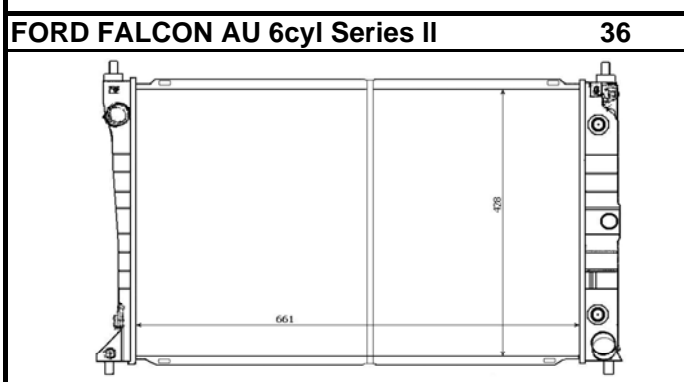
Auto	P/A	Man	FOR16B
Core	525X387X33	OE#	1029459
Remarks			



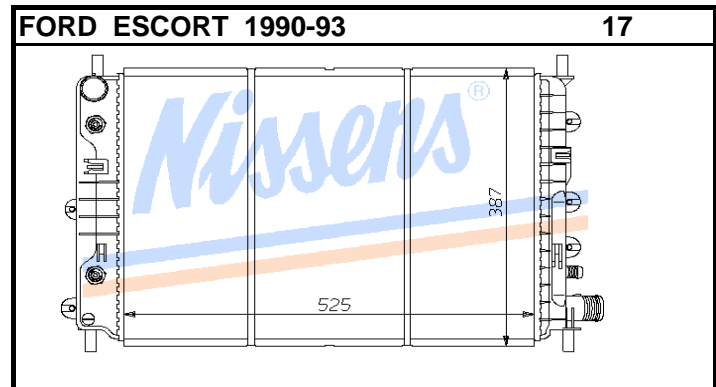
Auto	P/A	Man	FOR18B
Core	525X387X33	OE#	1664633
Remarks			



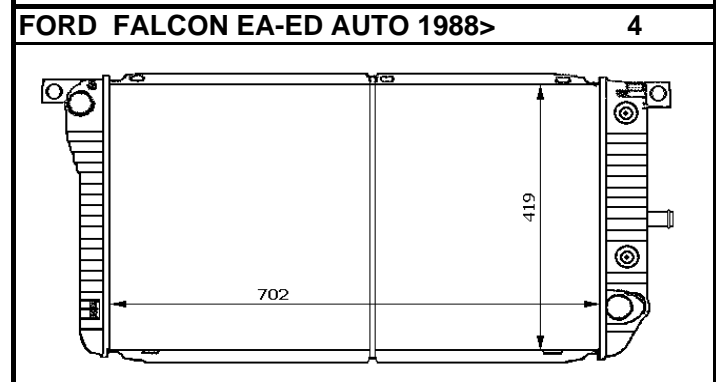
Auto	FOR28A	P/A	Man
Core	661X428X25	OE#	Not Known
Remarks			



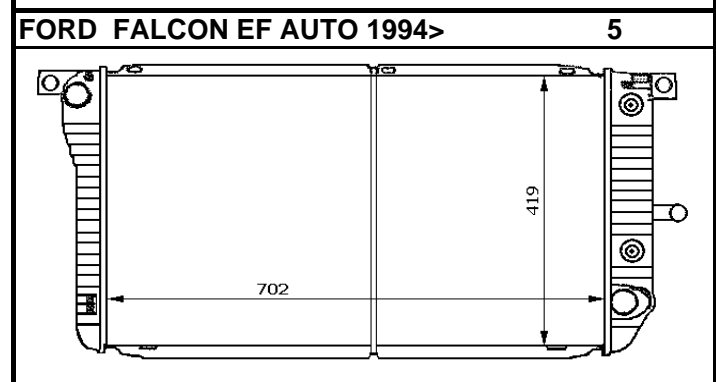
Auto	FOR36A	P/A	Man
Core	660X427X28	OE#	
Remarks			



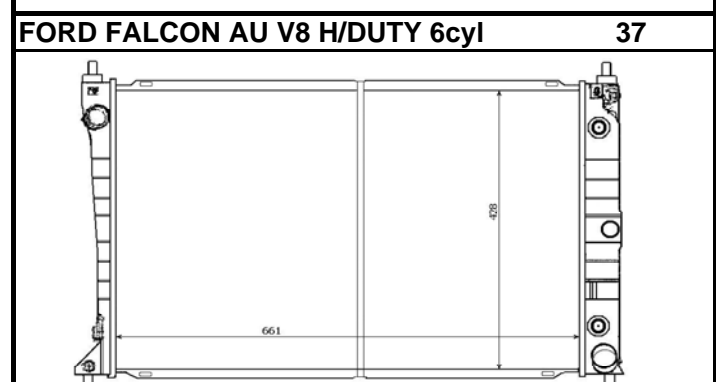
Auto	FOR17A	P/A	Man
Core	525X387X33	OE#	1664078
Remarks			



Auto	FOR4A	P/C	Man
Core	702X419X33	OE#	Not Known
Remarks straight pipe			

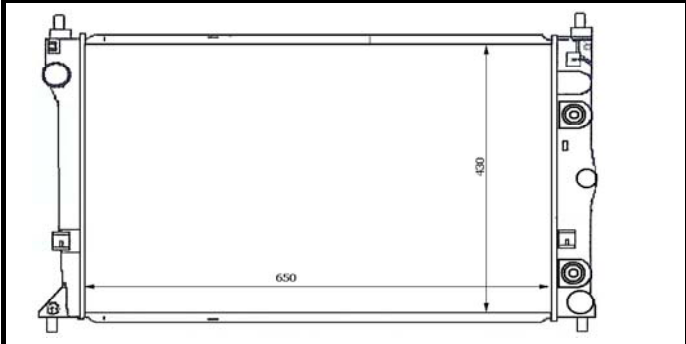


Auto	FOR5A	P/C	Man
Core	702X419X33	OE#	Not Known
Remarks BENT PIPE RIGHT TANK			



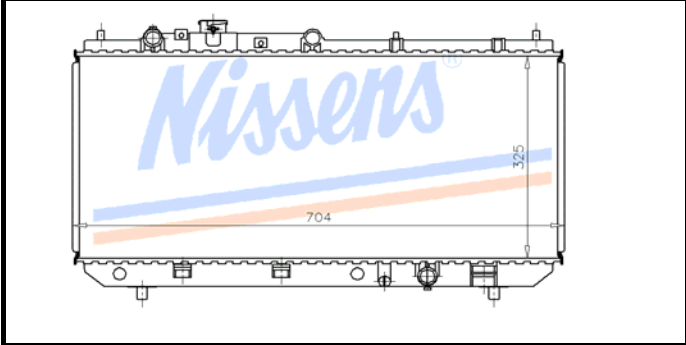
Auto	FOR37A	P/A	Man
Core	660X430X28	OE#	
Remarks plate trans cooler			

FORD FALCON BA XR6 TURBO V8 38



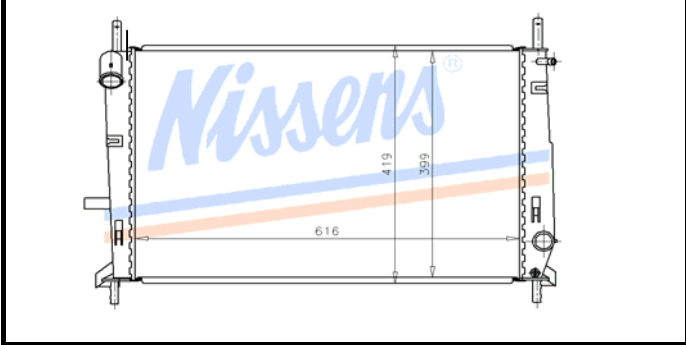
Auto	FOR38A	P/A	Man	FOR38B
Core	650X430X27		OE#	
Remarks				

FORD LASER 1997-98> 19



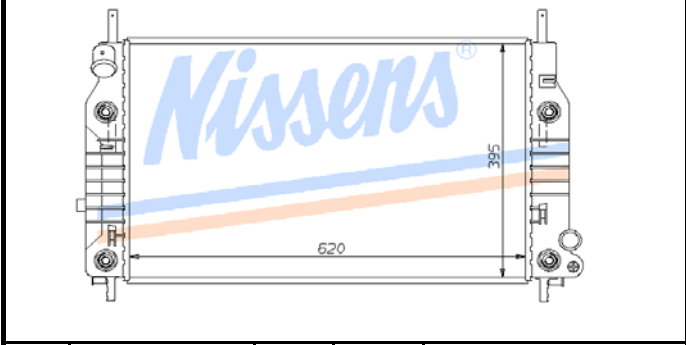
Auto		P/A	Man	FOR19B
Core	325X680X16		OE#	ZL01-15200
Remarks				

FORD MONDEO 1996-97> 24



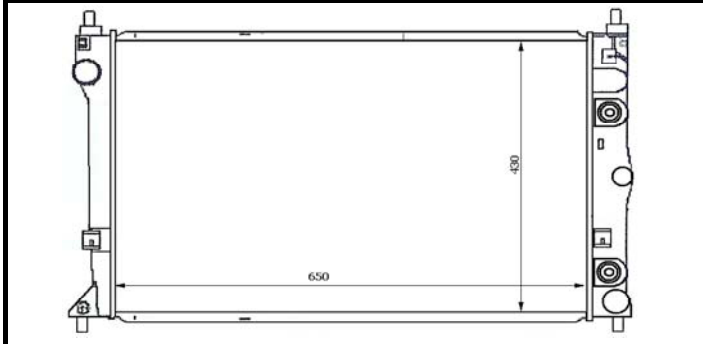
Auto		P/A	Man	FOR24B
Core	616X418X26		OE#	6899903
Remarks				

FORD MONDEO 1993-96 14



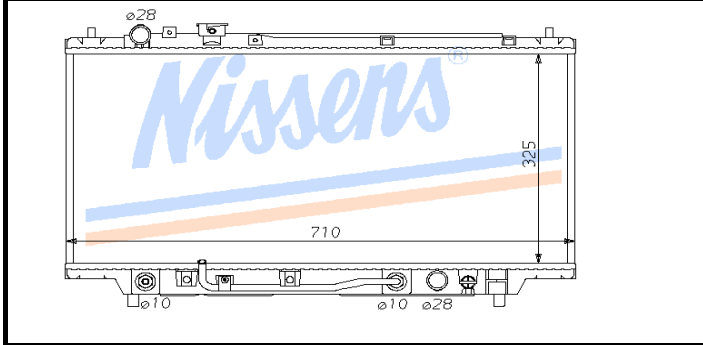
Auto	FOR14A	P/A	Man	
Core	620X395X26		OE#	6899904
Remarks				

FORD FALCON BA 6 cyl 39



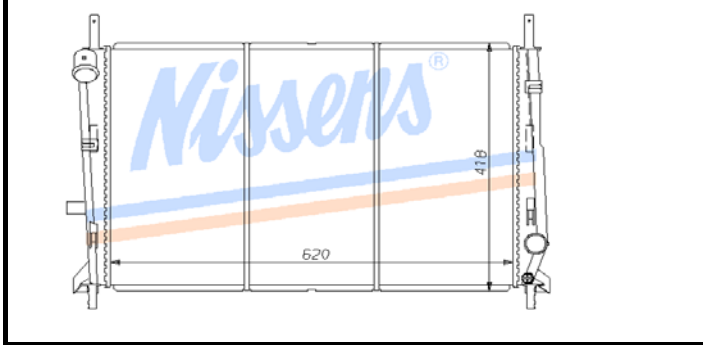
Auto	FOR39A	P/A	Man	FOR39B
Core	650X430X16		OE#	
Remarks				

FORD LASER 1994-96> 8



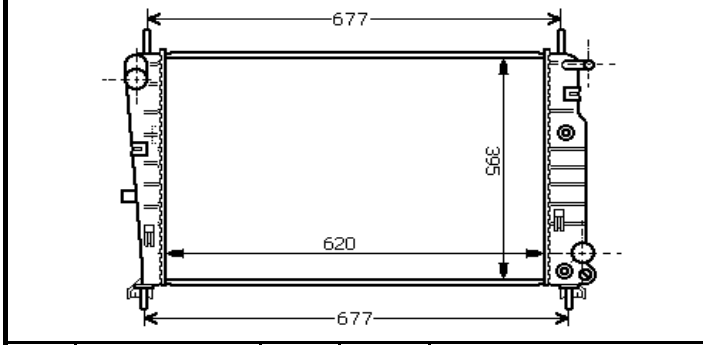
Auto	FOR8A	P/C	Man	FOR8B (P/A)
Core	325X704X25/16		OE#	B6BG15200. F15200G
Remarks				

FORD MONDEO 1993-96> 13



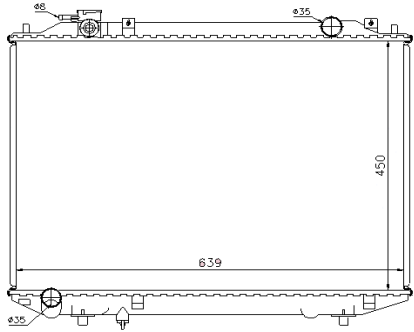
Auto		P/A	Man	FOR13B
Core	620X418X21		OE#	1036597
Remarks				

FORD MONDEO V6 AUTO 1996> 32



Auto	FOR32A	P/A	Man	
Core	620X395X42		OE#	97BB005CA
Remarks				

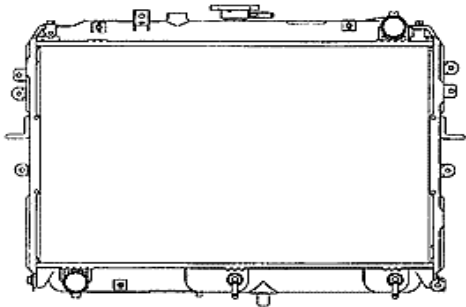
FORD COURIER DIESEL/PETROL1995> 10



Auto	P/A	Man	FOR10B
Core	450X640X27	OE#	Not Known

Remarks -

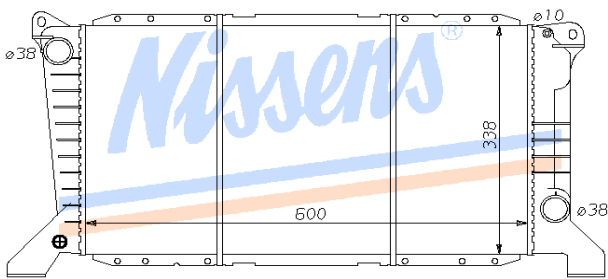
FORD ECONOVAN 1997> 22



Auto	FOR22A	P/A	Man	
Core	350X545X27	OE#	Not Known	

Remarks -

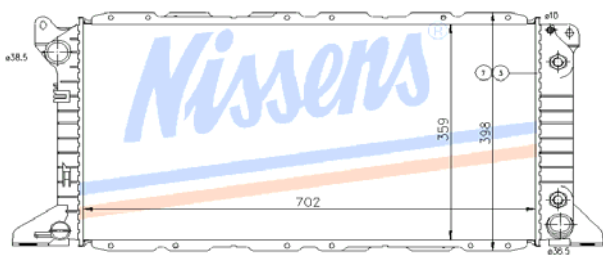
FORD TRANSIT 1994> 23



Auto	P/C	Man	FOR23B
Core	600X338X42	OE#	7242486

Remarks -

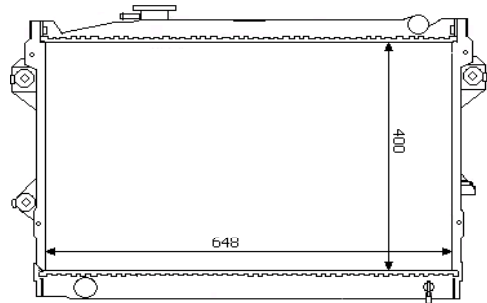
FORD TRANSIT 1994-96 30



Auto	FOR30A	P/A	Man	FOR30B
Core	702X359X40	OE#	7045713 1112703	

Remarks -

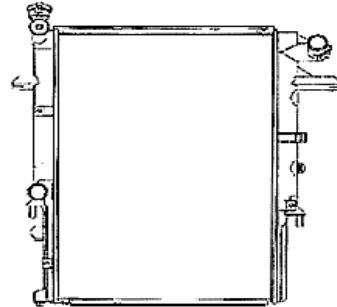
FORD COURIER 1992> 21



Auto	P/A	Man	FOR21B
Core	400X648X16	OE#	Not Known

Remarks -

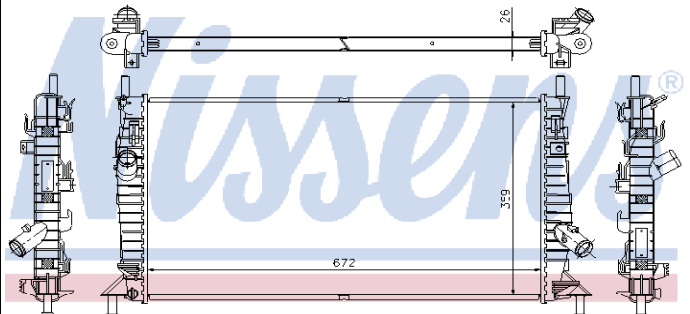
FORD ECONOVAN 1997> 20



Auto	P/A	Man	FOR20B
Core	400X565X36	OE#	Not Known

Remarks -

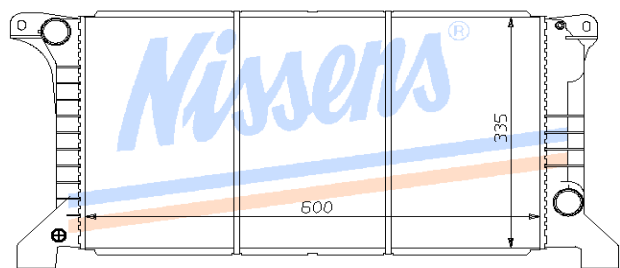
FORD FOCUS C-MAX 2003> 40



Auto	FOR40 M/A	P/A	Man	
Core	672X359X26	OE#	1305492 1309414	

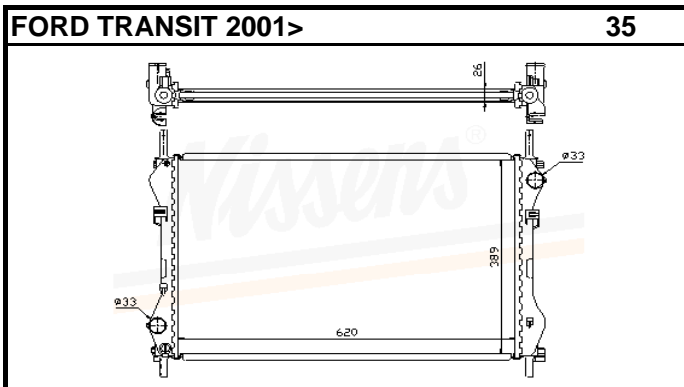
Remarks - O.E.1318177 1354177 Z602-15-200C

FORD TRANSIT 1991-94 12

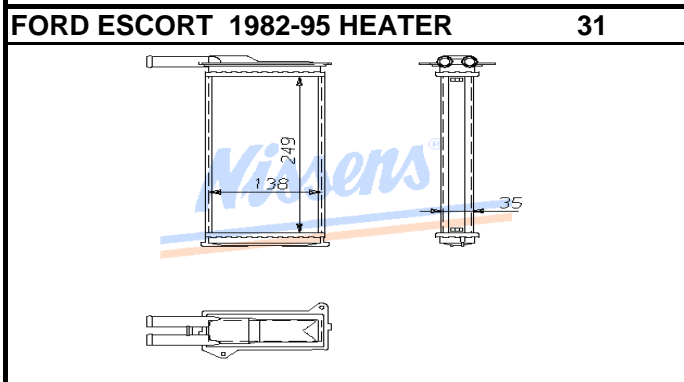


Auto	P/C	Man	FOR12B
Core	599X335X33	OE#	1040077

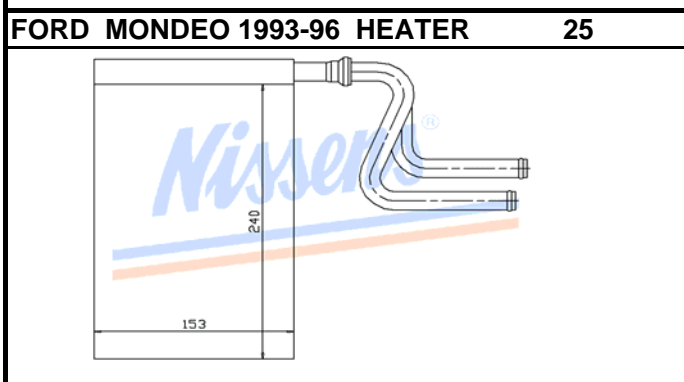
Remarks -



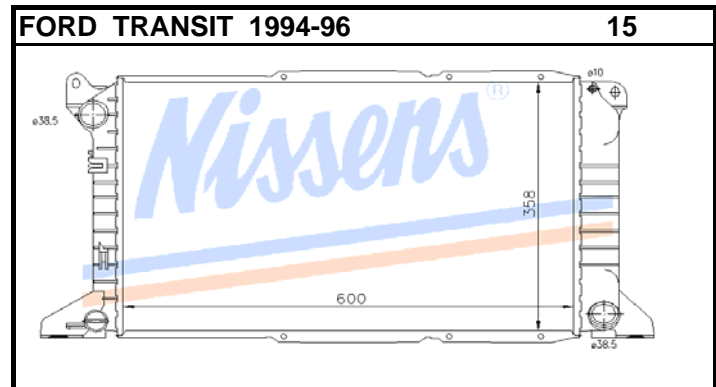
Auto		P/A		Man	FOR35R
Core	620X389X26			O.E.#	1104319
Remarks -					



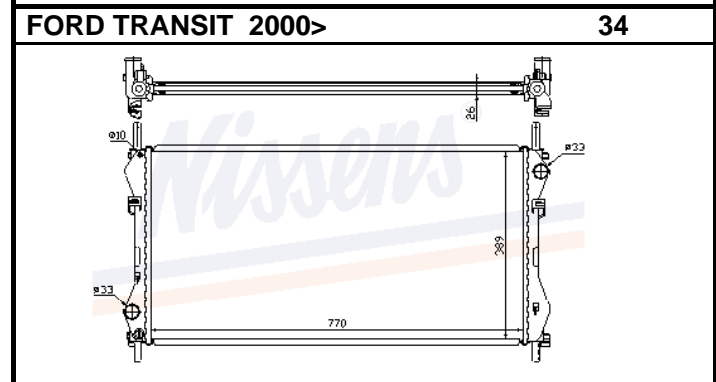
Auto		P/C		Man	FOR31B
Core	249X133X.35			OE#	1652127
Remarks -					



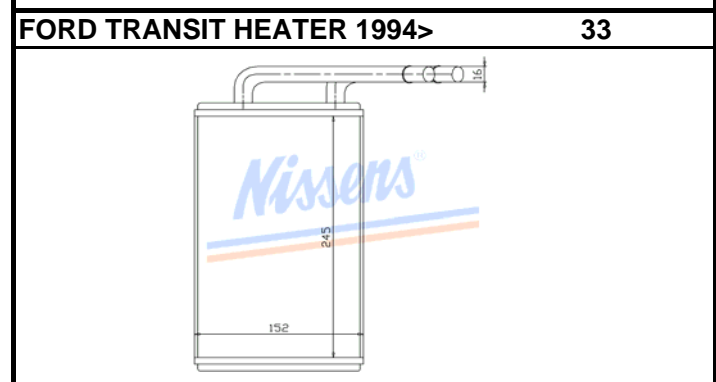
Auto		P/A		Man	FOR25B
Core	134X265X42			OE#	6851006
Remarks -					



Auto		P/A		Man	FOR15B
Core	600X362X40			OE#	7242485
Remarks -					



Auto		P/A		Man	FOR34B
Core	770X389X26			OE#	1104320
Remarks -					



Auto		P/A		Man	FOR33B
Core	245X152X52			OE#	95VW18476AB
Remarks -					