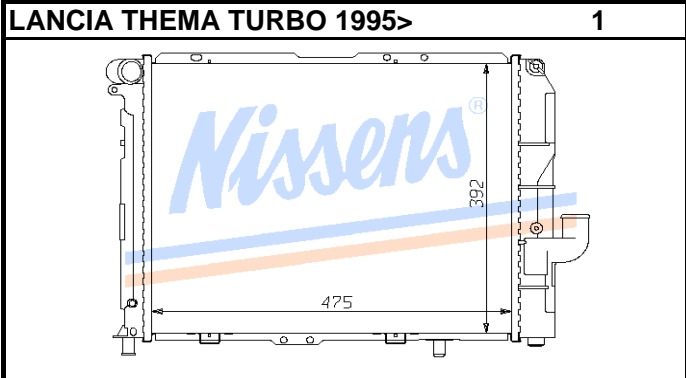
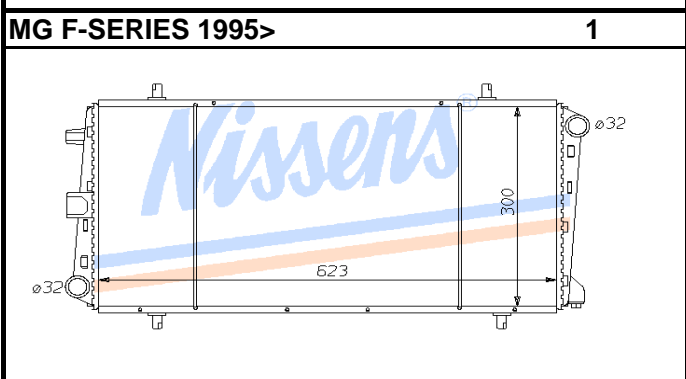


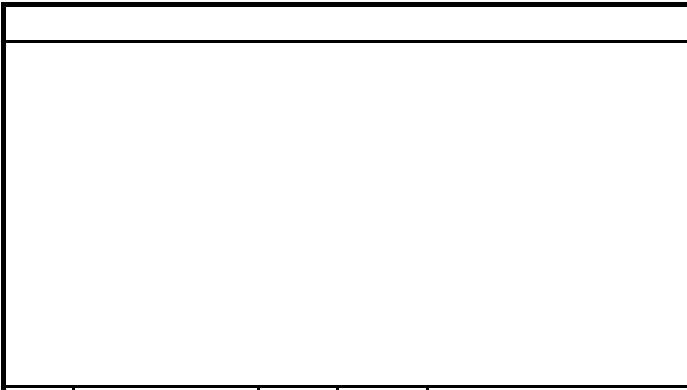
Auto	M/C	Man	LAD1B
Core	480X340X33	OE#	2108-1301012-10
Remarks			



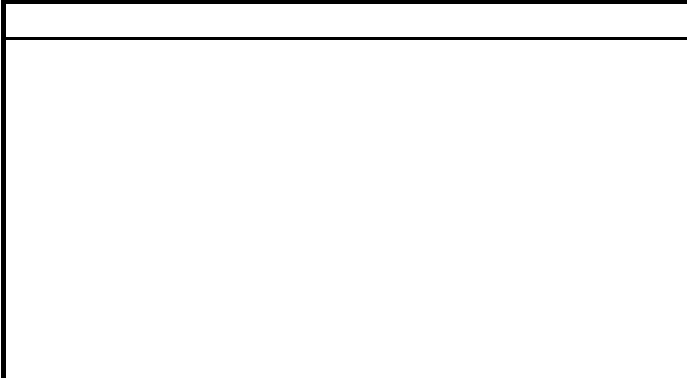
Auto	P/A	Man	LAN1B
Core	475X394X33	OE#	Not Known
Remarks			



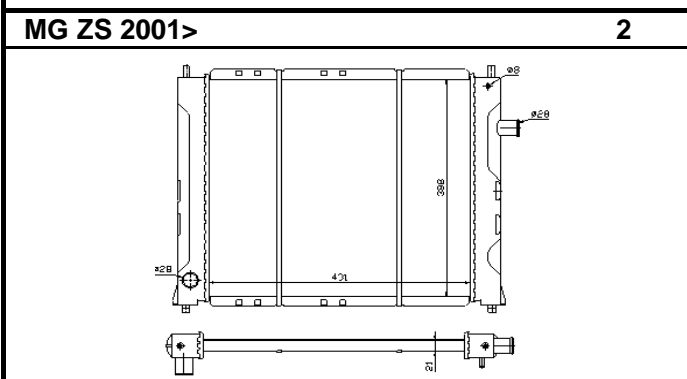
Auto	P/C	Man	MG1B
Core	623X300X00	OE#	GRD927
Remarks			



Auto		Man	
Core		OE #	
Remarks			



Auto		Man	
Core		OE #	
Remarks			



Auto		P/C	Man	ROV2B
Core	523X388X21	OE #	GR937	
Remarks				