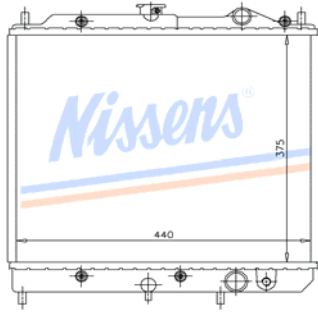
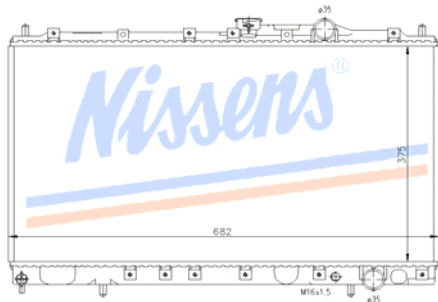


MITSUBISHI LANCER 1987-92 **1**



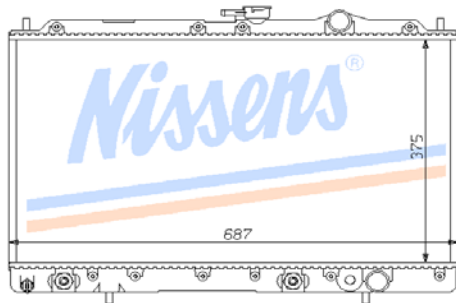
Auto		P/C		Man	MIT1B
Core	375X440X17			OE#	MB538540
Remarks					

MITSUBISHI LANCER 1993> **7**



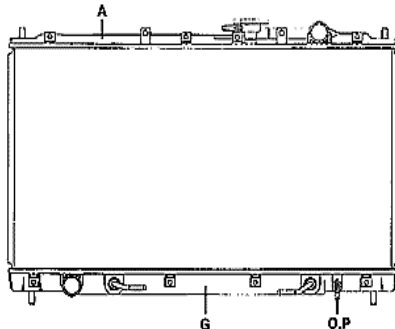
Auto		P/C		Man	MIT7B
Core	375X660X25			OE#	MB660566
Remarks					

MITSUBISHI GALANT 1987-93 **2**



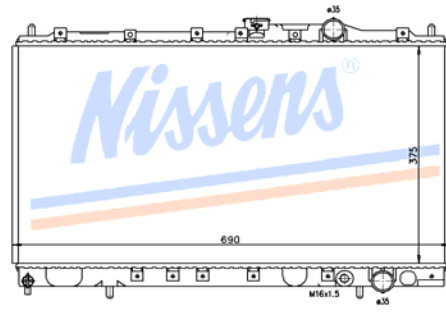
Auto	MIT2A	P/C		Man	MIT2B
Core	375X668X16			OE#	MB356528/7
Remarks					

MITSUBISHI MAGNA 1996> **6**



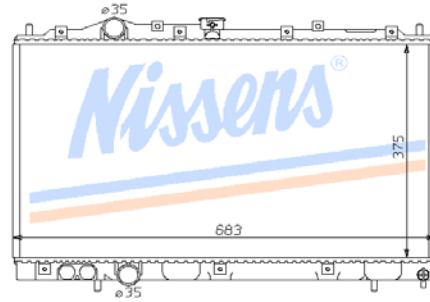
Auto	MIT6A	P/C/A		Man	
Core	400X718X27			OE#	Not Known
Remarks					

MITSUBISHI LANCER 1992> **5**



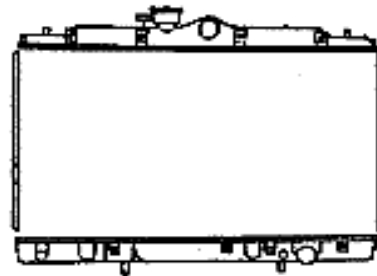
Auto		P/C		Man	MIT5B
Core	375X661X17			OE#	MB660567/845791
Remarks					

MITSUBISHI LANCER 1995> **9**



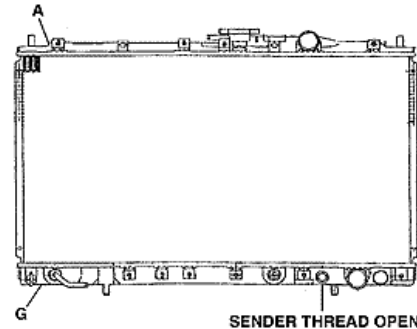
Auto	MIT9A	P/A/C		Man	MIT9B
Core	375X660X16			OE#	MR187961
Remarks					

MITSUBISHI MAGNA V3000 1991> **4**



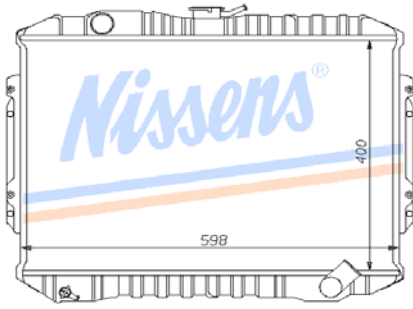
Auto	MIT4A	P/C		Man	MIT4B
Core	400X728X32			OE#	Not Known
Remarks					

MITSUBISHI NIMBUS 1992> **10**



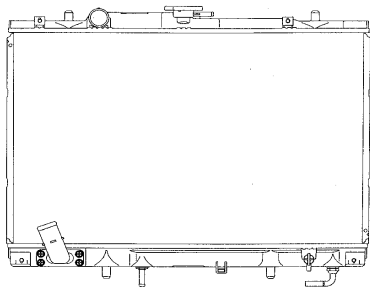
Auto	MIT10A	P/C		Man	
Core	375X684X27			OE#	Not Known
Remarks					

MITSUBISHI PAJERO 1982> **3**



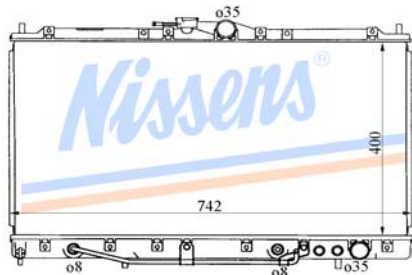
Auto	M/C	Man	MIT3B
Core	400X598X33	OE#	MB221901
Remarks			

MITSUBISHI CHALLENGER 1996> **11**



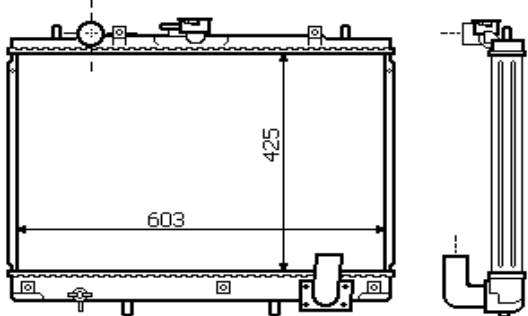
Auto	P/A	Man	MIT11B
Core	425X641X27	OE#	Not Known
Remarks			

MITSUBISHI SIGMA 1992> **18**



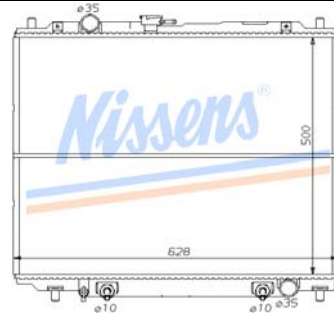
Auto	MIT18A	P/C	Man	MIT18B
Core	400X742X25	OE#	MB660006/924265	
Remarks -				

MITSUBISHI L200 2.5 TURBO DIESEL **20**



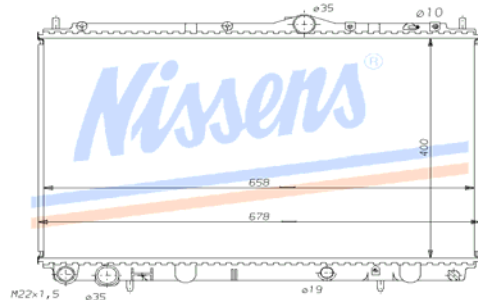
Auto	P/A	Man	MIT20B
Core	425X603X40	OE#	MR281023
Remarks - Engine 4D56T			

MITSUBISHI PAJERO 1993> **8**



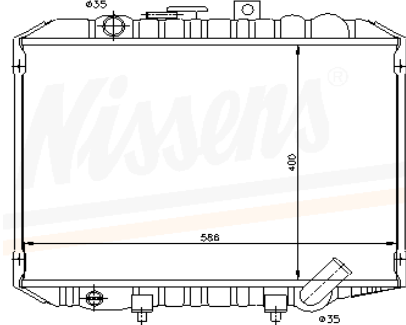
Auto	P/C	Man	MIT8B
Core	500X602X42	OE#	MB890955/4
Remarks			

MITSUBISHI CARISMA DA DIESEL 1995> **17**



Auto	P/A	Man	MIT17B
Core	400X678X32	OE#	8602106
Remarks			

MITSUBISHI L300 1986> **19**



Auto	P/C	Man	MIT19B
Core	400X590X32	O.E.#	MB127772
Remarks -			

MITSUBISHI L200 2.5 TURBO DIESEL **20**



Auto	P/C	Man	
Core		O.E.#	
Remarks -			