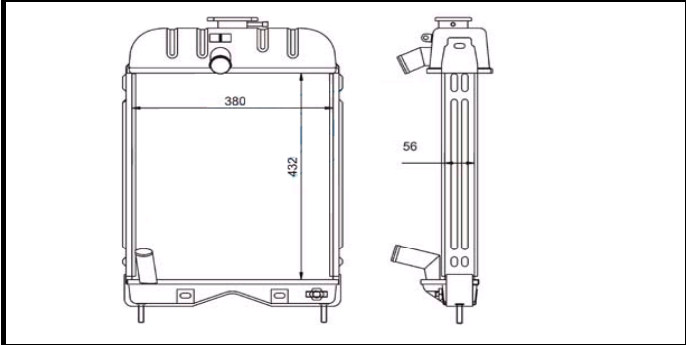
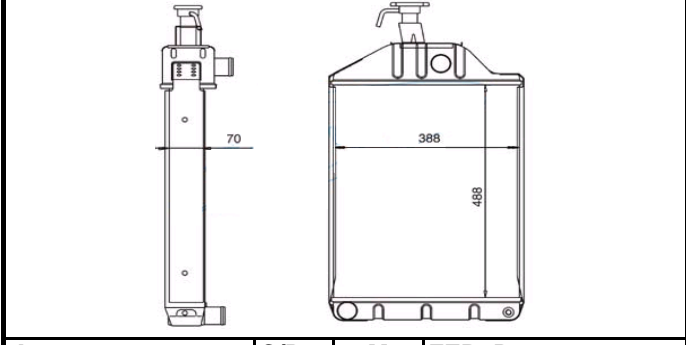


MASSEY FERGUSON TRACTOR 1035 1



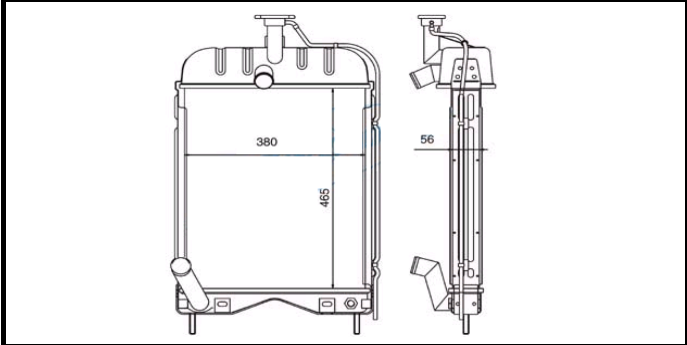
Auto		C/B		Man	FER1B
Core	432X384X56			OE#	713902M91
ENGINE DIESEL P3					

MASSEY FERGUSON TRACTOR MF290/590 3

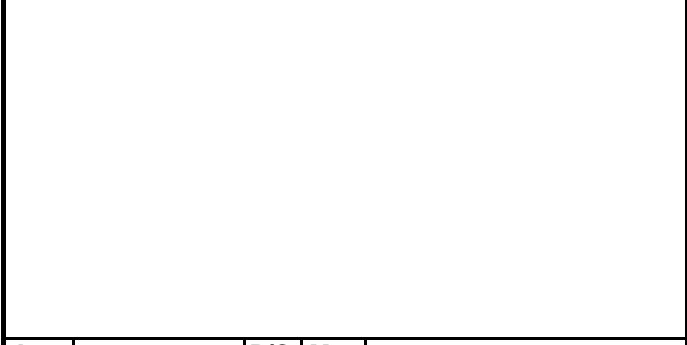


Auto		C/B		Man	FER3B
Core	488X388X70			OE#	1669650M94

MASSEY FERGUSON TRACTOR 1035DI 2



Auto		C/B		Man	FER2B
Core	432X384X56			OE#	89439M92/075858M91



Auto		P/C		Man	
Core				OE#	