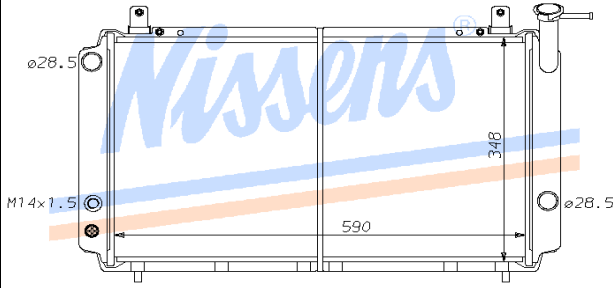
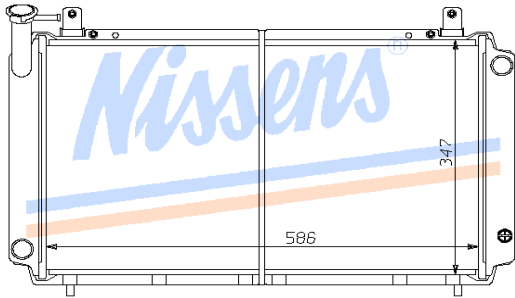


**NISSAN PULSAR SENTRA 1985-90 1**



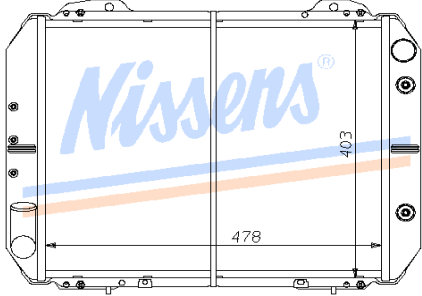
Auto	M/C	Man	NIS1B
Core	590X348X17	OE#	21410-69A100
Remarks			

**NISSAN SUNNY 1988-90 2**



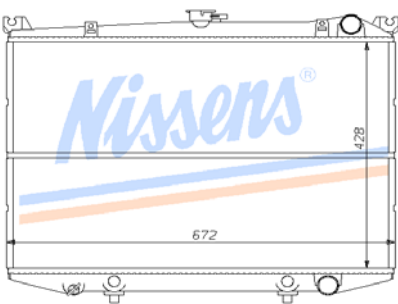
Auto	M/C	Man	NIS2B
Core	590X348X17	OE#	21410-83A00
Remarks			

**NISSAN VANETTE 1985-87 6**



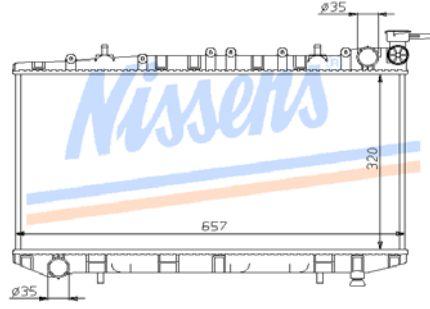
Auto	NIS6A	M/C	Man	NIS6B
Core	478X403X33	OE#	21460-G5411	
Remarks		OE# 21410-G5501		

**NISSAN TERRANO 1985-92 7**



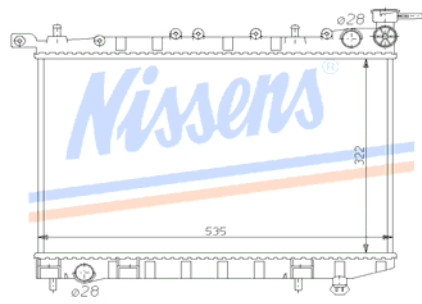
Auto	NIS7A	P/A/C	Man	NIS7B
Core	428X672X18/21	OE#	21400-01G00	
Remarks				

**NISSAN SENTRA 1990-95 5**



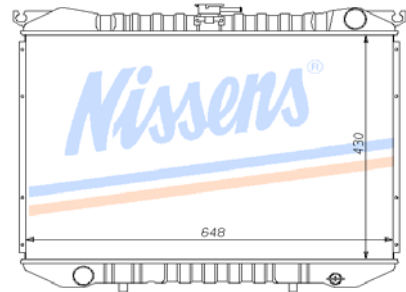
Auto	P/C	Man	NIS5B
Core	320X657X25	OE#	21410-OM500
Remarks			

**NISSAN NX 1990-95 3**



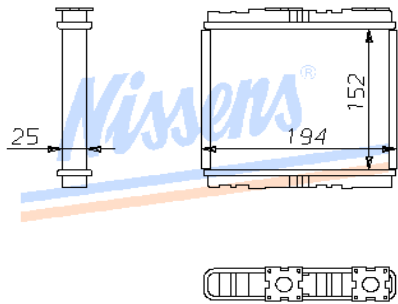
Auto	P/C	Man	NIS3B
Core	322X535X17	OE#	21410-62C01
Remarks			

**NISSAN KING CAB 1985> 8**



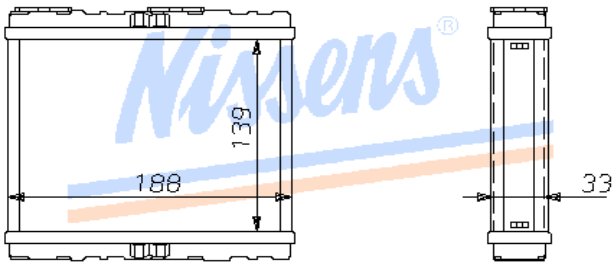
Auto	P/C	Man	NIS8B
Core	428X672X33	OE#	21400-10G10
Remarks			

**NISSAN MAXIMA HEATER 10**



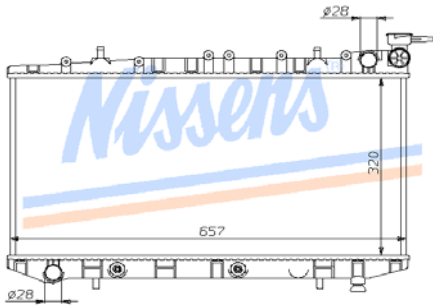
Auto	M/C	Man	NIS10B
Core	152X192X25	OE#	Not Known
Remarks			

**NISSAN COMPLETE HEATER 1990 11**



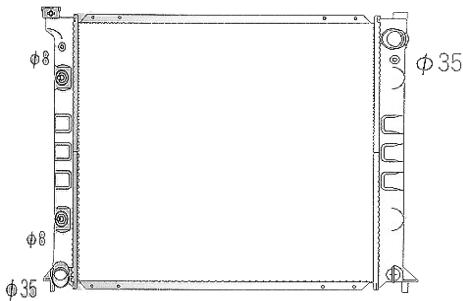
Auto	P/A	Man	NIS11B
Core	139X188X33	OE#	5658030101
Remarks			

**NISSAN SUNNY B13 1.5 1990> 13**



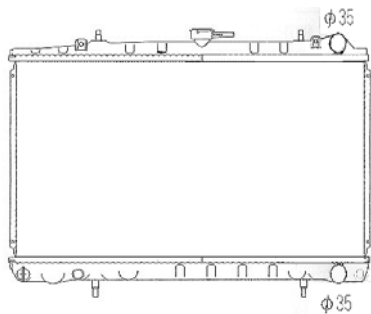
Auto	NIS13A	P/C	Man
Core	320X657X21	OE#	21460-60Y00
Remarks			

**NISSAN 300 ZX V6 TURBO 1989> 15**



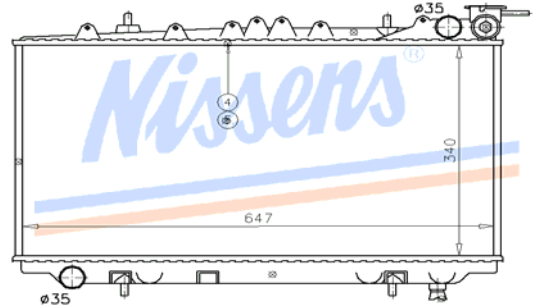
Auto	NIS15A	P/A	Man
Core	500X484X25	OE#	Not Known
Remarks -			

**NISSAN SKYLINE R32 1988> 17**



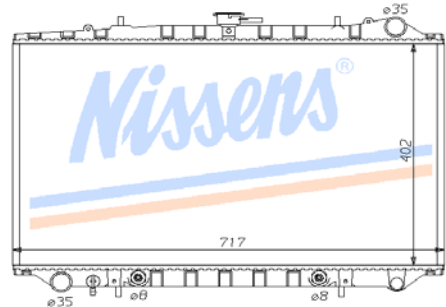
Auto	P/A	Man	NIS17B
Core	380X671X16	OE#	Not Known
Remarks -			

**NISSAN PRIMERA COMPLETE 1990> 12**



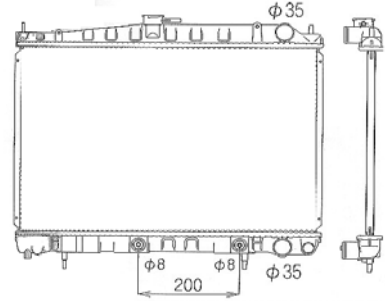
Auto	P/C	Man	NIS12B
Core	340X647X21	OE#	21410-70J00/1
Remarks			

**NISSAN 300 ZX 1989> 14**



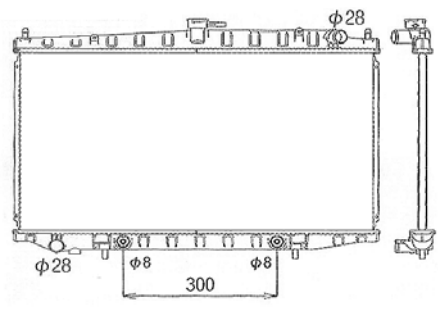
Auto	NIS14A	P/A/C	Man
Core	400X715X16	OE#	21460-30P10
Remarks			

**NISSAN LAUREL C34 1993> 16**



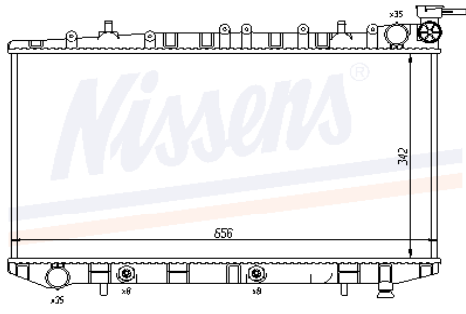
Auto	NIS16A	P/A	Man
Core	400X671X16	OE#	Not Known
Remarks -			

**NISSAN BLUEBIRD U13 & ARX 1991> 18**



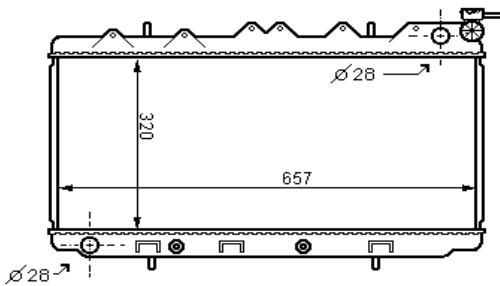
Auto	NIS18A	P/A	Man
Core	380X715X16	OE#	Not Known
Remarks -			

NISSAN PRIMERA P10 1992> 19



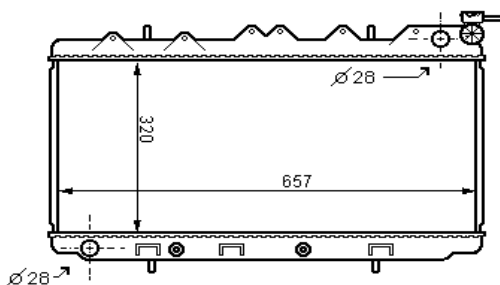
Auto	NIS19A	P/A	Man	NIS19B
Core	340X657X16		OE#	21460-64J00
Remarks	OE#21410-62J00			

NISSAN SENTRA PULSAR N14 1992> 21



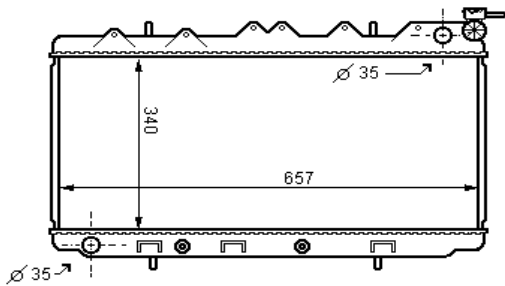
Auto	NIS21A	P/A	Man	
Core	320X657X16		OE#	Not Known
Remarks	-			

NISSAN SENTRA PULSAR 1990> 23



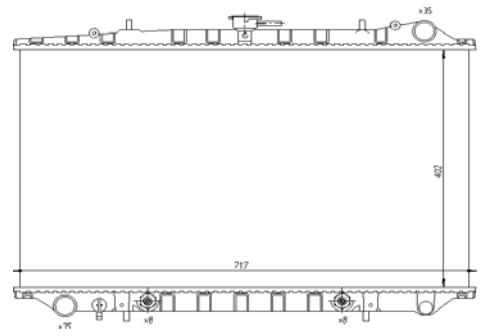
Auto	NIS23A	P/A	Man	
Core	320X657X25		OE#	Not Known
Remarks	-			

NISSAN AVENIR PW10 1990> 25



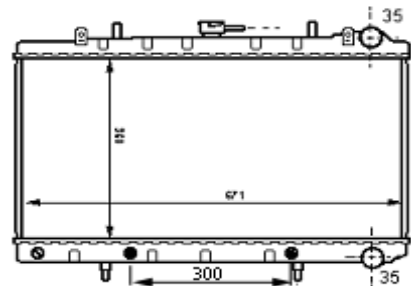
Auto	NIS25R	P/A	Man	
Core	340X657X25		OE#	Not Known
Remarks	-			

NISSAN MAXIMA 3.0i V6 24V 28



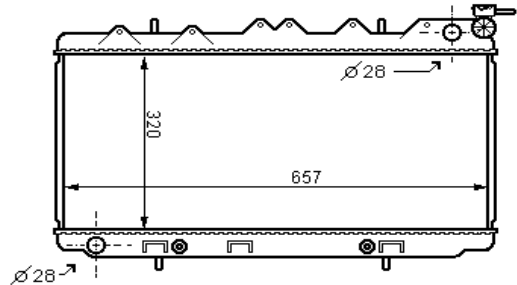
Auto	NIS28A	P/A	Man	
Core	402X717X25		OE#	21460-85E00
Remarks	- ENGINE G VG30E			

NISSAN SYLVIA 200SX 240SX 1988> 20



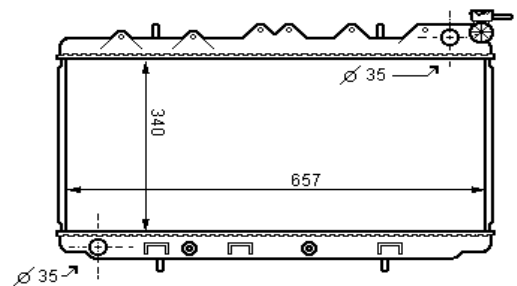
Auto	NIS20A	P/A	Man	
Core	360X671X16		OE#	Not Known
Remarks	-			

NISSAN SENTRA PULSAR N15 1996> 22



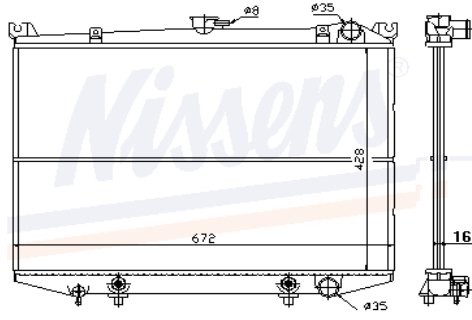
Auto	NIS22A	P/A	Man	
Core	320X657X16		OE#	Not Known
Remarks	-			

NISSAN AVENIR W10 1990> 24



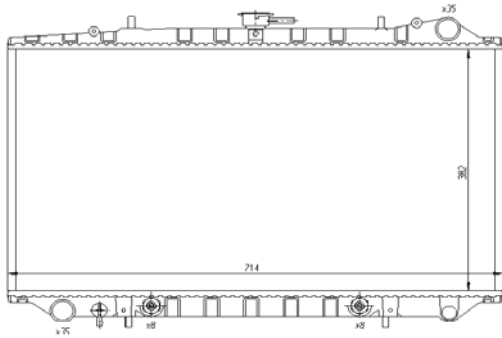
Auto	NIS24R	P/A	Man	
Core	340X657X16		OE#	Not Known
Remarks	-			

**NISSAN TERRANO 1988> 27**



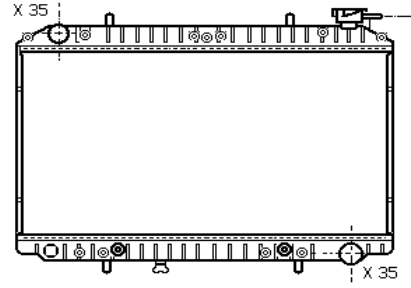
<b>Auto</b>	NIS27R	<b>P/A</b>	<b>Man</b>	
<b>Core</b>	420X672X16		<b>OE#</b>	Not Known
<b>Remarks -</b>				

**NISSAN BLUEBIRD U12 1987-1991 29**



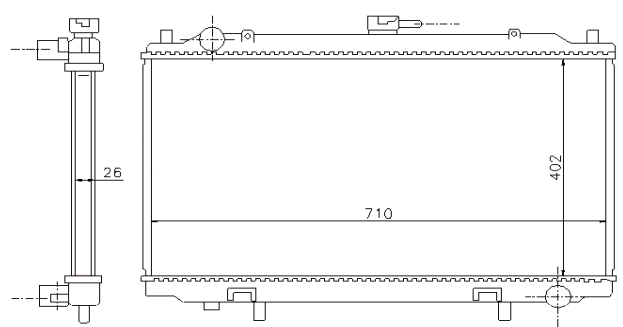
<b>Auto</b>	NIS29A	<b>P/A</b>	<b>Man</b>	
<b>Core</b>	380X695X2 ROW		<b>OE#</b>	
<b>Remarks -</b>				

**NISSAN VANETTE C23 1991> 26**



<b>Auto</b>	NIS26R	<b>P/A</b>	<b>Man</b>	
<b>Core</b>	420X715X25		<b>OE#</b>	Not Known
<b>Remarks -</b>				

**NISSAN MAXIMA 1988-1994 30**



<b>Auto</b>	NIS30A	<b>P/A</b>	<b>Man</b>	
<b>Core</b>	395X692X2ROW		<b>OE#</b>	
<b>Remarks -</b>				