

**ROVER 200 II 214 400 414 1993-95** **2**

<b>Auto</b>	<b>P/C</b>	<b>Man</b>	<b>ROV2B</b>
<b>Core</b>	430X400X25	<b>OE#</b>	GRD162 PCC10237
<b>Remarks</b>			

**ROVER 200 II 400 1989-92** **4**

<b>Auto</b>	<b>P/C</b>	<b>Man</b>	<b>ROV4B</b>
<b>Core</b>	430X408X25	<b>OE#</b>	1910SK4E00
<b>Remarks</b>			

**ROVER 200 II 216 1989-99** **3**

<b>Auto</b>	<b>P/C</b>	<b>Man</b>	<b>ROV3B</b>
<b>Core</b>	521X395X32	<b>OE#</b>	19010SK4E51
<b>Remarks</b>			

**ROVER 214 1995-99>** **6**

<b>Auto</b>	<b>P/C</b>	<b>Man</b>	<b>ROV6B</b>
<b>Core</b>	429X388X21	<b>OE#</b>	Not Known
<b>Remarks</b>			

**ROVER 214-416 1995-99** **8**

<b>Auto</b>	<b>P/C</b>	<b>Man</b>	<b>ROV8B</b>
<b>Core</b>	429X388X21	<b>OE#</b>	GDR938 PCC104410
<b>Remarks</b>   Without Hole in Tank			

**ROVER 45/400 1995> MGZS 2001>** **20**

<b>Auto</b>	<b>P/C</b>	<b>Man</b>	<b>ROV20B</b>
<b>Core</b>	523X388X21	<b>OE#</b>	PCC104400 GRD937
<b>Remarks</b>			

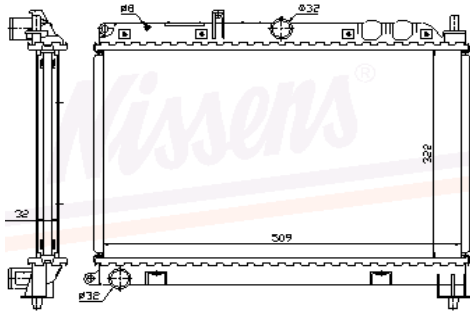
**ROVER 600 2.0TURBO DIESEL** **7**

<b>Auto</b>	<b>P/A</b>	<b>Man</b>	<b>ROV7B</b>
<b>Core</b>	322X534X32	<b>OE#</b>	GRD-812
<b>Remarks</b>			

**ROVER 600 623 1990>** **5**

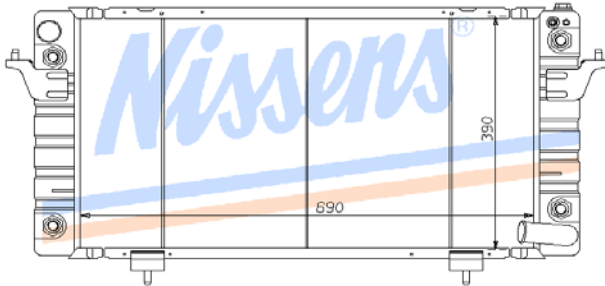
<b>Auto</b>	<b>ROV5A</b>	<b>P/C</b>	<b>Man</b>
<b>Core</b>	350X668X33	<b>OE#</b>	19010PTO001/PT1003
<b>Remarks</b>			

**ROVER 600 620 2.0 TURBO 1993> 21**



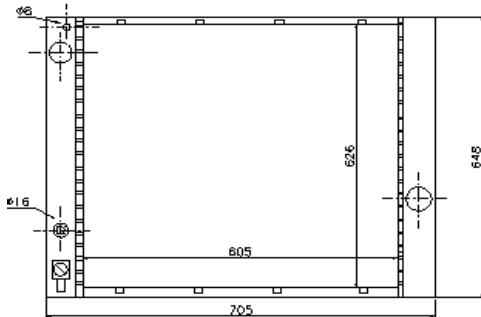
Auto	P/A	Man	ROV21B
Core	322X509X32	OE#	
Remarks	ENGINE G 2.0I TURBO		

**LAND ROVER DISCOVERY V/8 1994> 9**



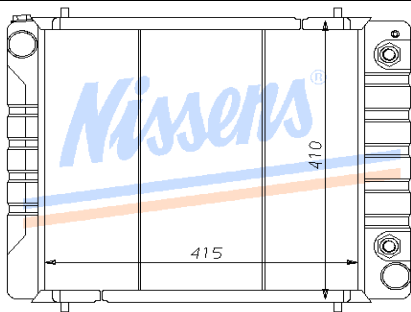
Auto	ROV9A	M/C	Man
Core	690X390X65	OE#	ESR2630/3687
Remarks			

**RANGE ROVER V/8 4.4i 2002> 23**



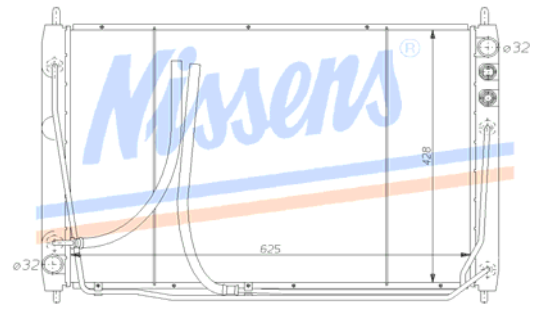
Auto	ROV23A	A/A	Man
Core	605X626X40	OE#	PCC000850
Remarks	ENGINE G M62		

**L/ROVER DISCOVERY 2.5 DIESEL 1989 11**



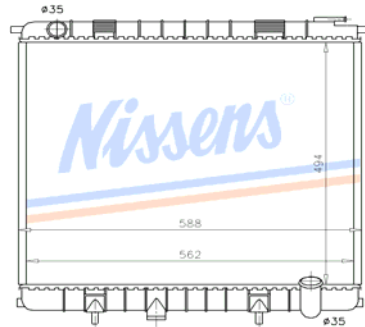
Auto	ROV11A	B/C	Man
Core	415X410X50	OE#	BTP1823
Remarks			

**ROVER 800 820 1985-91 1**



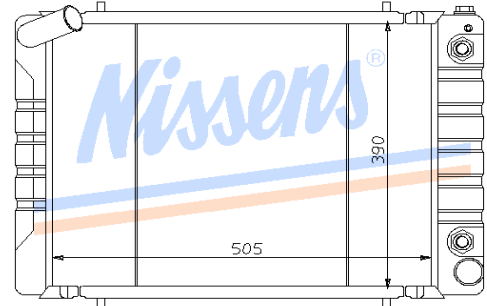
Auto	ROV1A	P/C	Man	ROV1B
Core	625X428X25	OE#	19010-PN7-750	
Remarks				

**RANGE ROVER 4.0i 4.6i 1994> 10**



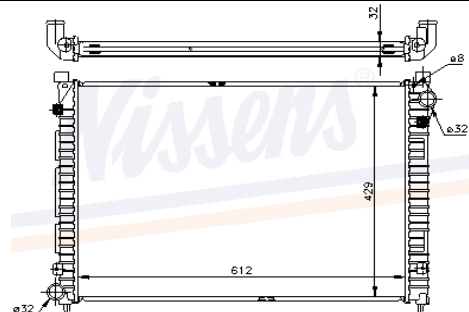
Auto		P/C	Man	ROV10B
Core	494X588X40	OE#	ERS2269	
Remarks				

**RANGE ROVER 2.4 TURBO 1986> 12**



Auto	ROV12A	B/C	Man	
Core	505X390X60	OE#	BTP1318/1362	
Remarks				

**L/ROVER FREELANDER 2.0 1997> 14**



Auto		P/A	Man	ROV14B
Core			OE#	ESR4197
Remarks	-			

**L/ROVER FREELANDER 2.0 DIESEL 13**

Auto	P/A	Man	ROV13B
Core	484X429X32	OE#	ESR4199 PCC000100
Remarks -			

**LANDROVER 90 DIESEL 1989> 17**

Auto	ROV17A	M/C	Man
Core	630X400X48	O.E.#	ESR 0204
Remarks -			

**L/ROVER DISCOVERY II TDI 2.5 15**

Auto	P/A	Man	ROV15B
Core	593X437X41	OE#	PCC107270
Remarks -			

**ROVER 75 1999> 18**

Auto	P/A	Man	ROV18B
Core	648x449x32	O.E.#	GRD1055
Remarks -			

**LANDROVER FREELANDER 1997> 22**

Auto	P/A	Man	ROV22B
Core	612x459x32	O.E.#	PCC000320
Remarks - ENGINE K16 KV6 M47D			

**RANGE ROVER HEATER 19**

Auto	P/A	Man	ROV19B
Core	277X148X38	O.E.#	RTC6366
Remarks -			

**L/ROVER DISCOVERY HEATER 16**

Auto	P/C	Man	ROV16B
Core	254X142X32	O.E.#	RTC6593
Remarks -			

**RANGE ROVER HEATER 24**

Auto	P/A	Man	ROV24B
Core		O.E.#	95651001
Remarks -			