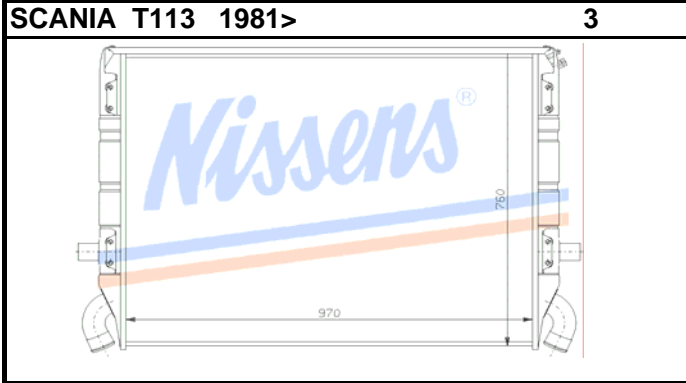
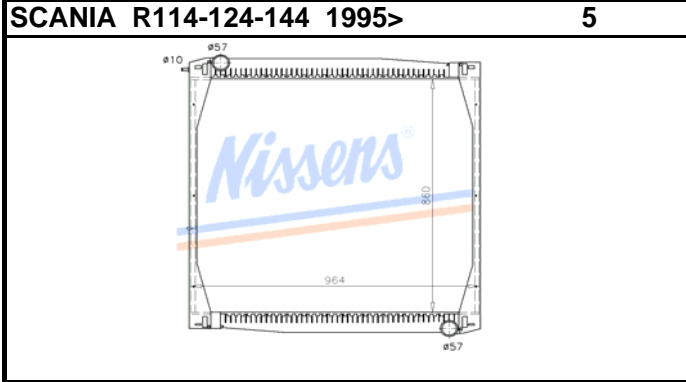


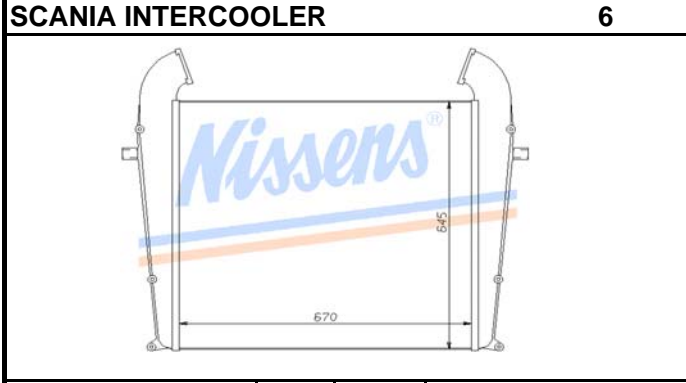
Auto	M/C	Man	SCA1B
Core	715X770X58	OE#	1100630
Remarks			



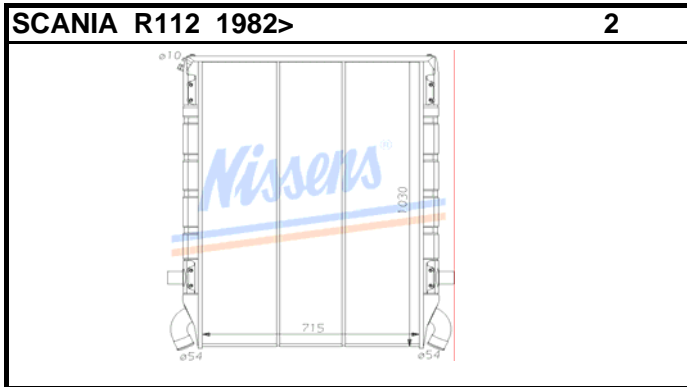
Auto	M/C	Man	SCA3B
Core	970X760X58	OE#	1100631
Remarks			



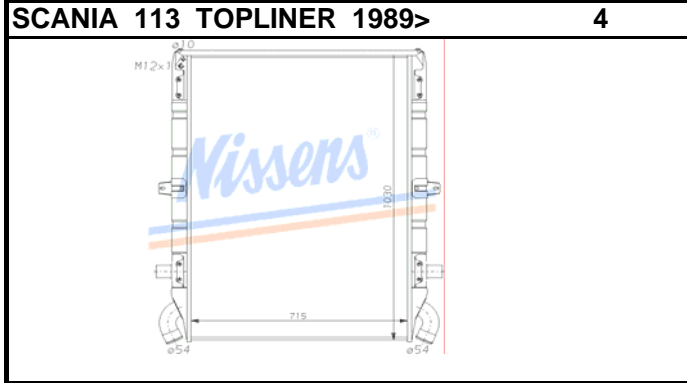
Auto	P/C	Man	SCA5B
Core	860X964X40	OE#	1327249
Remarks			



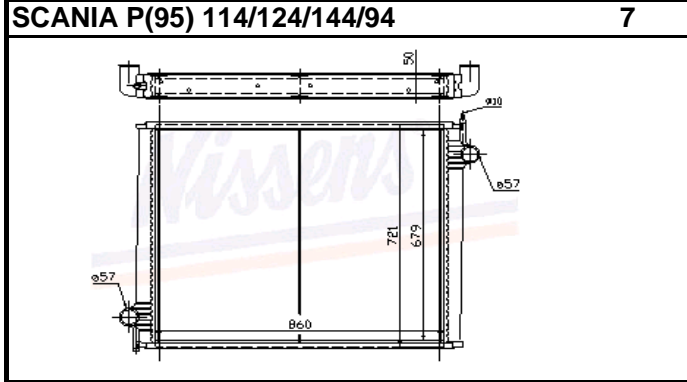
Auto	A/A	Man	SCA6B
Core	670X645X63	OE#	1100086
Remarks			



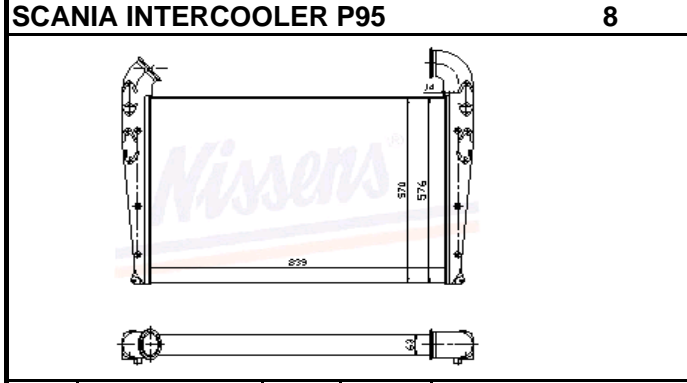
Auto	M/C	Man	SCA2B
Core	715X1030X58	OE#	1321887
Remarks			



Auto	M/C	Man	SCA4B
Core	715X1030X52	OE#	1321888
Remarks			



Auto	P/A	Man	SCA7B
Core	860X679X48	OE#	1365371
Remarks			



Auto	A/A	Man	SCA8B
Core	839X570X63	OE#	1365209
Remarks P(95)114/124/144/94/DSC11/12/14 DSC9			

SCANIA INTERCOOLER R95 T95				9
Auto	A/A	Man	SCA9B	
Core	825X794X63X	OE#	13735187	
Remarks R95 T95 94/114/124/144/164				

Auto		P/A	Man	
Core			OE#	
Remarks				