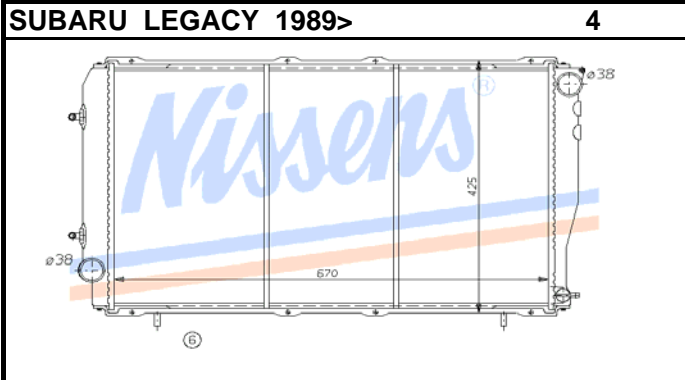
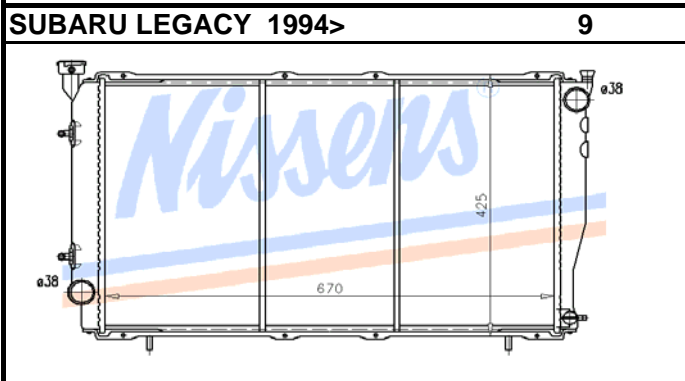


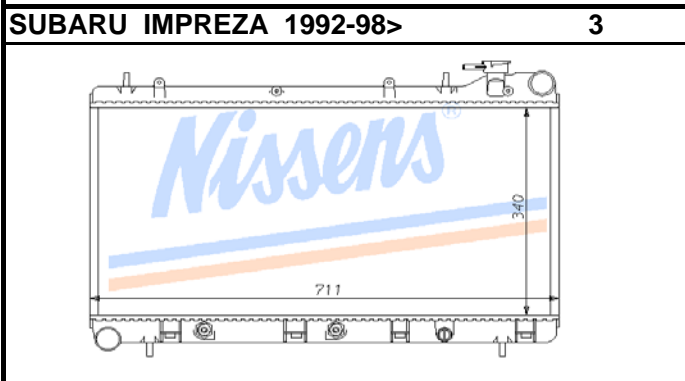
Auto	SUB2A	P/C	Man	SUB2B
Core	645X319X16		OE#	451119GA631/710
Remarks				



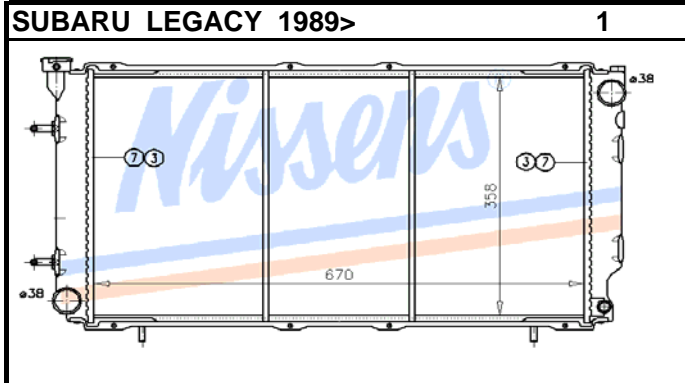
Auto	SUB4A	P/C	Man	SUB4B
Core	672X392X25		OE#	45199AA180
Remarks	OE# 45111AA260			



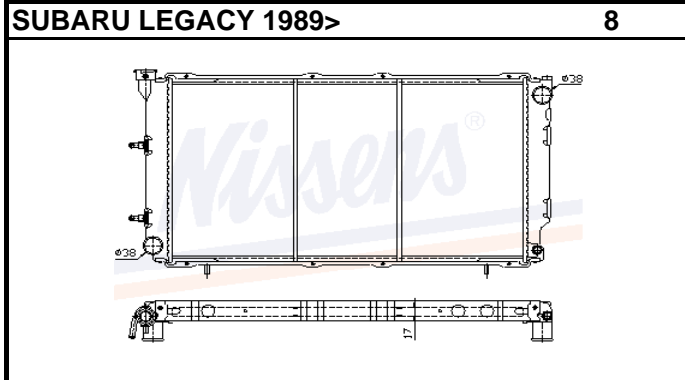
Auto	SUB9A	P/C	Man	
Core	670X425X25		OE#	45199AC250
Remarks				



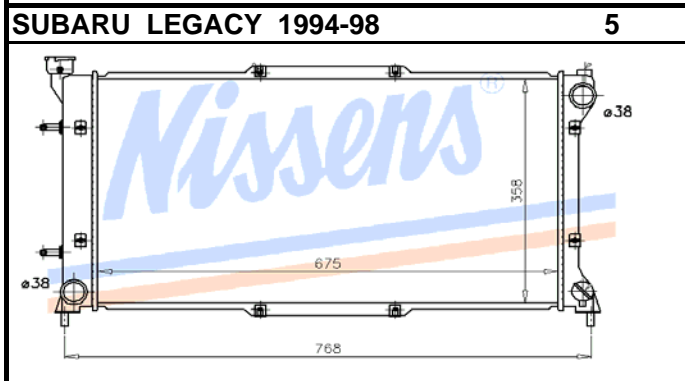
Auto	SUB3A	P/A	P/C	Man	SUB3B
Core	340X711X17		OE#	45199FA030/040	
Remarks					



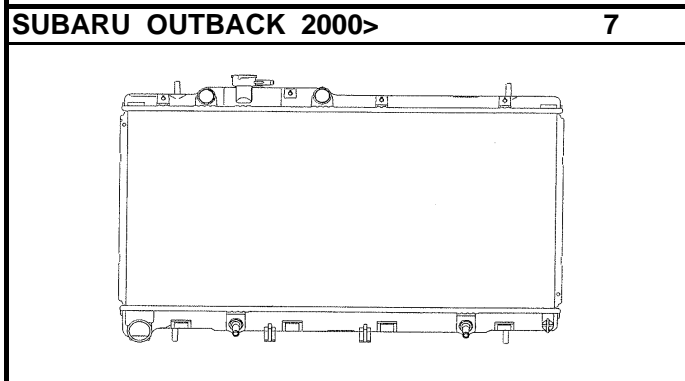
Auto	SUB1A	P/C	Man	SUB1B
Core	670X358X16		OE#	45199AA121/080
Remarks				



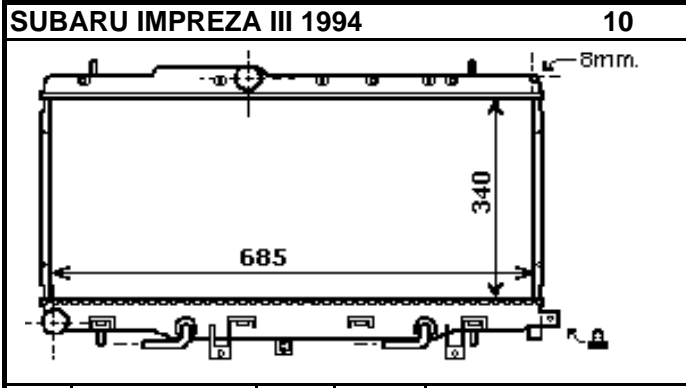
Auto	SUB8A	P/C	Man	SUB8B
Core	670X358X17		OE#	45199AA090
Remarks				



Auto	SUB5A	P/C	Man	SUB5B
Core	670X358X17		OE#	45199AC070/040
Remarks				

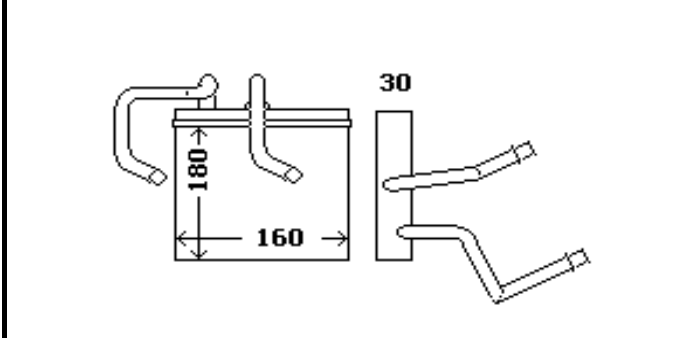


Auto	SUB7A	P/A	Man	
Core	350X698X27		OE#	Not Known
Remarks				

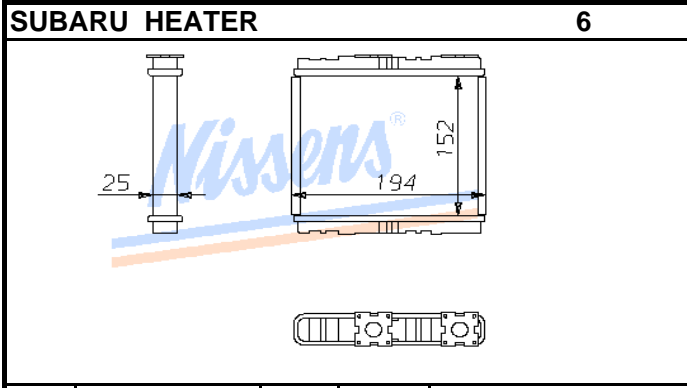


<b>Auto</b>	SUB10A	P/A	<b>Man</b>	SUB10B
<b>Core</b>	340X685X16		<b>OE#</b>	45111-FE020
<b>Remarks</b>	2.0i 16V TURBO (WRX)			

**SUBARU HEATER** 11



<b>Auto</b>	A/A	<b>Man</b>	SUB11B
<b>Core</b>	180X160X30		<b>OE#</b>
<b>Remarks</b>			



<b>Auto</b>		<b>M/C</b>	<b>Man</b>	SUB6A
<b>Core</b>	152X194X25		<b>OE#</b>	Not Known
<b>Remarks</b>				

**SUBARU HEATER** 11



<b>Auto</b>			<b>Man</b>	
<b>Core</b>			<b>OE#</b>	
<b>Remarks</b>				