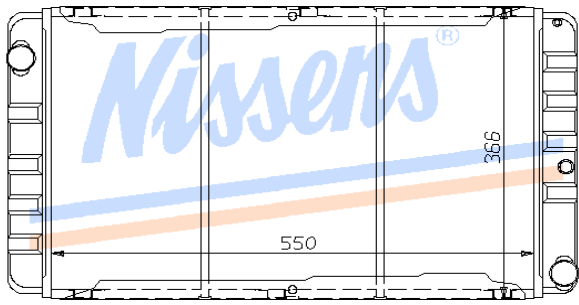
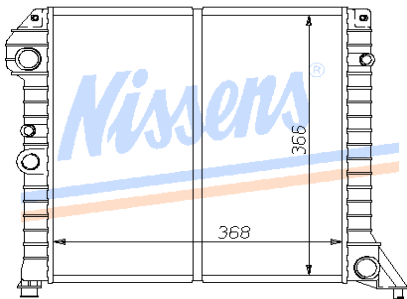


VOLVO 340-360 1985-86 **2**



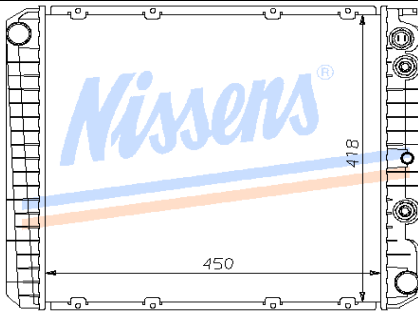
Auto		M/C		Man	VOL2B
Core	550X360X33			OE#	201032
Remarks					

VOLVO 440 1990-94> **4**



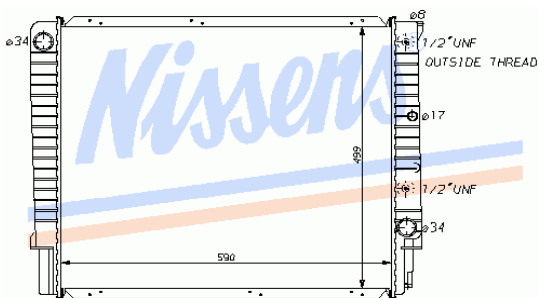
Auto		P/C		Man	VOL4B
Core	368X366X33			OE#	410658
Remarks					

VOLVO 740 1985-90> **5**



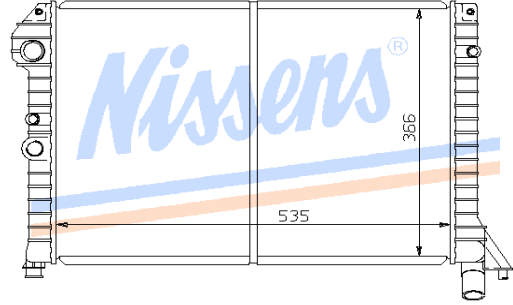
Auto	VOL5A	P/A		Man	
Core	450X420X33			OE#	1346015
Remarks					

VOLVO 940 1992-96> **12**



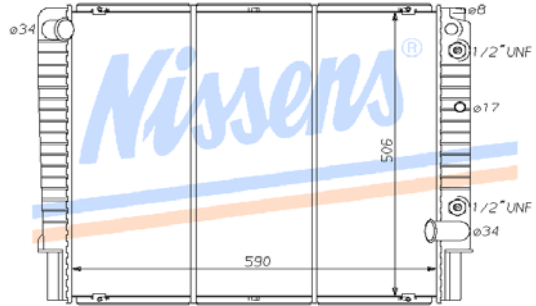
Auto	VOL12A	P/A		Man	
Core	590X499X32			OE#	3547146
Remarks					

VOLVO 440 TURBO 1986-94 **3**



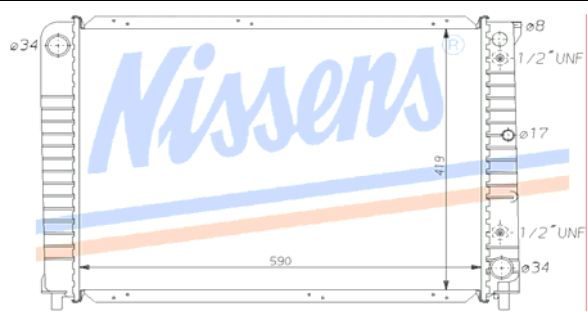
Auto		P/C		Man	VOL3B
Core	535X366X33			OE#	446966
Remarks					

VOLVO 740-760 1985> **1**



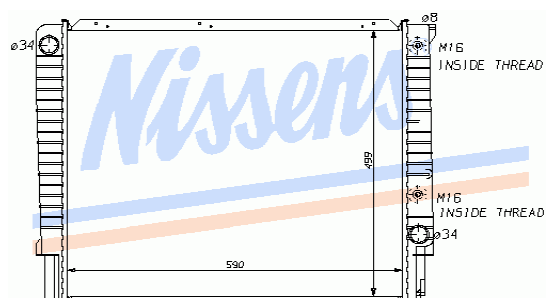
Auto	VOL1A	P/C		Man	
Core	590X506X33			OE#	Not Known
Remarks					

VOLVO 740 1992-96> **10**



Auto	VOL10A	P/A		Man	
Core	590X419X40			OE#	8601002
Remarks					

VOLVO 960 1994-96> **9**



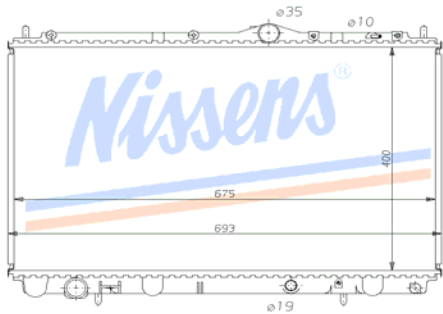
Auto	VOL9A	P/A		Man	
Core	590X497X33			OE#	1397561
Remarks					

VOLVO S70 TURBO 1993-98 **11**



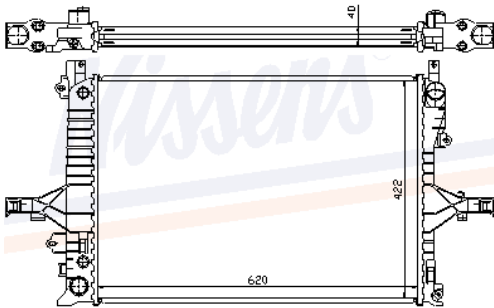
Auto	VOL11A	P/A	Man	VOL11B
Core	590X388X42		OE#	8601356/1355
Remarks				

VOLVO S/V 40 1.8i 1995> **18**



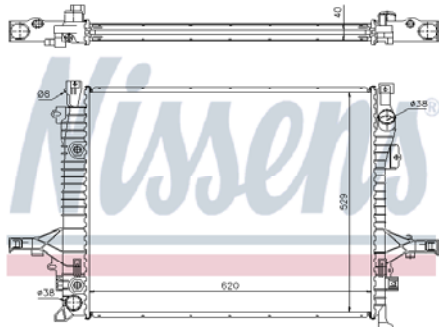
Auto		P/A	Man	VOL18B
Core	400X675X22		OE#	8602065
Remarks				

VOLVO S80 1998> **23**



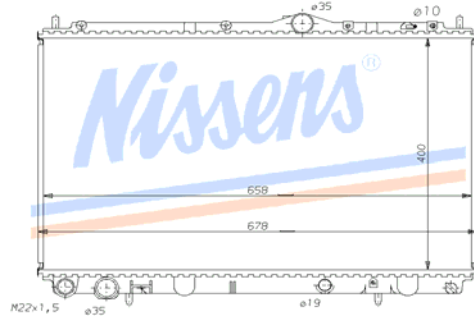
Auto	VOL23A	P/A	Man	
Core	620X422X40		OE#	8601433/1586/2414
Remarks -				

VOLVO XC 90 2.5T 2002> **26**



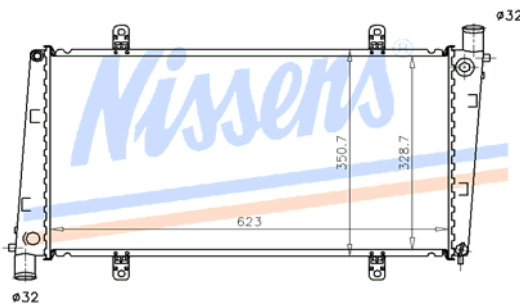
Auto	VOL26A	P/A	Man	
Core	620X529X40		OE#	
Engine G B5254T2				

VOLVO S/V 40 1.9 TD 1995> **17**



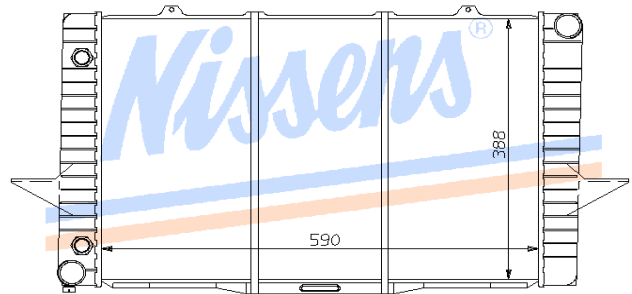
Auto		P/A	Man	VOL17B
Core	400X678X32		OE#	8602106
Remarks				

VOLVO S/V 2.0T 1995> **19**



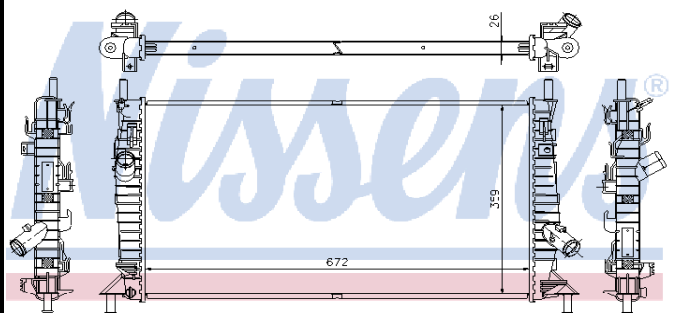
Auto		P/A	Man	VOL19B
Core	624X329X26		OE#	8602116
Remarks				

VOLVO 850 1991-96 **21**



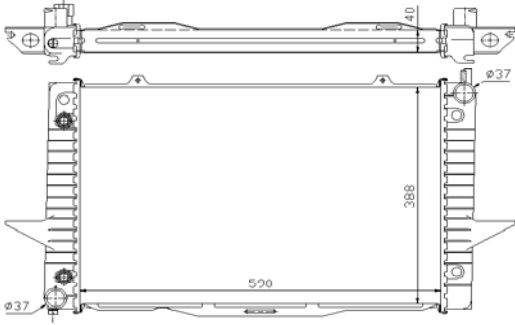
Auto	VOL21A	P/A	Man	VOL21B
Core	590X388X40		OE#	8601354/1353
Remarks -				

VOLVO S40 V50 2003> **25**



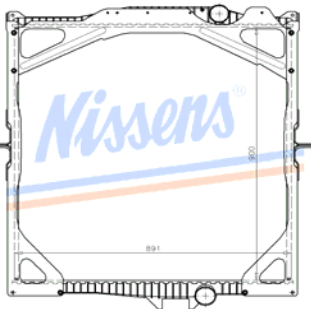
Auto	VOL25 M/A	P/A	Man	
Core	672X359X26		OE#	1305492 1318177
Remarks - ENGINE D4204T DIESEL				

VOLVO C70 1998> **24**



Auto	VOL24A	P/A	Man	
Core	590X388X40		OE#	8601450/1-2558/9
Remarks - ENGINE G1948 B5202T				

VOLVO FH12 1993> **6**



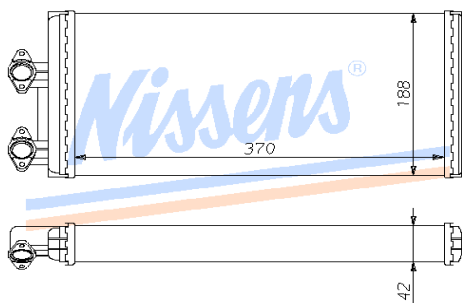
Auto		P/C	Man	VOL6B
Core	900X893X52		OE#	1676435
Remarks -				

VOLVO TRUCK F10-F12 HEATER **15**



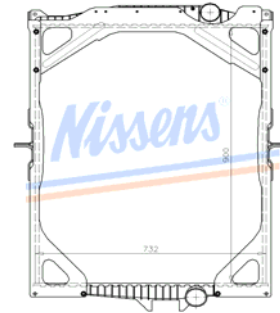
Auto		P/A	Man	VOL15B
Core	370X188X42		OE#	1587964
Remarks -				

VOLVO TRUCK FL6 HEATER **14A**



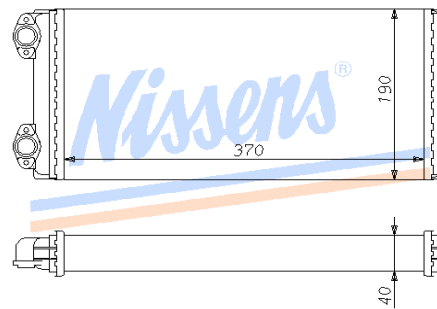
Auto		P/A	Man	VOL14A
Core	370X188X42		OE#	1697358
Remarks -				

VOLVO FH12 1993> **7**



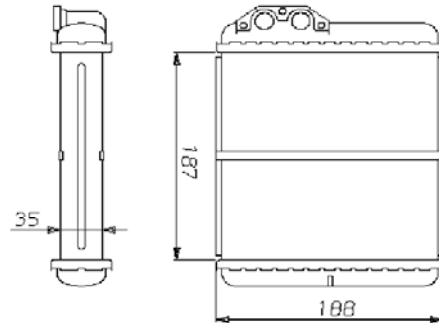
Auto		P/C	Man	VOL7B
Core	900X735X52		OE#	1665249
Remarks -				

VOLVO TRUCK FL7-FL10 HEATER **14B**



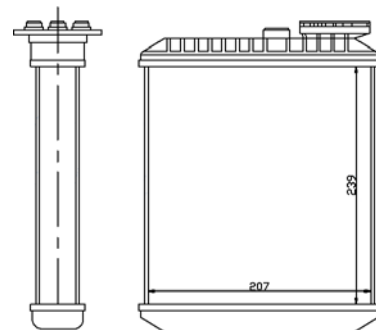
Auto		P/A	Man	VOL14B
Core	370X190X40		OE#	1362745
Remarks -				

VOLVO 440 1988-96 HEATER **13**



Auto		P/C	Man	VOL13B
Core	187X188X35		OE#	3462359
Remarks -				

VOLVO V70II S60 S80 HEATER 1998> **22**



Auto		P/A	Man	VOL22B
Core	239X207X40		OE#	9171503
Remarks				

VOLVO 850/S70/V70/C70 HEATER		20
Auto	P/A	Man VOL20B
Core 192X186X48		OE# 9144221
Remarks -		

Auto		Man	
Core		OE#	
Remarks -			